



Features

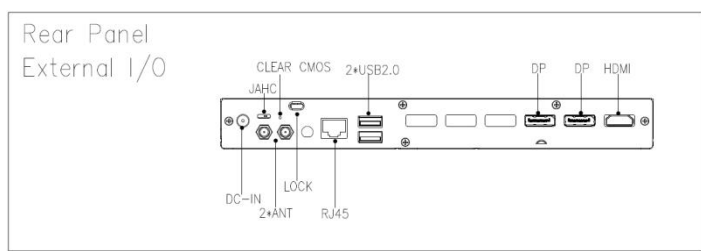
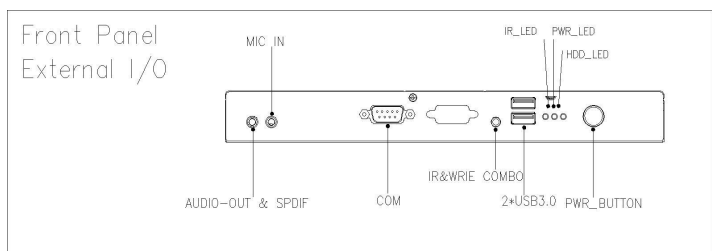
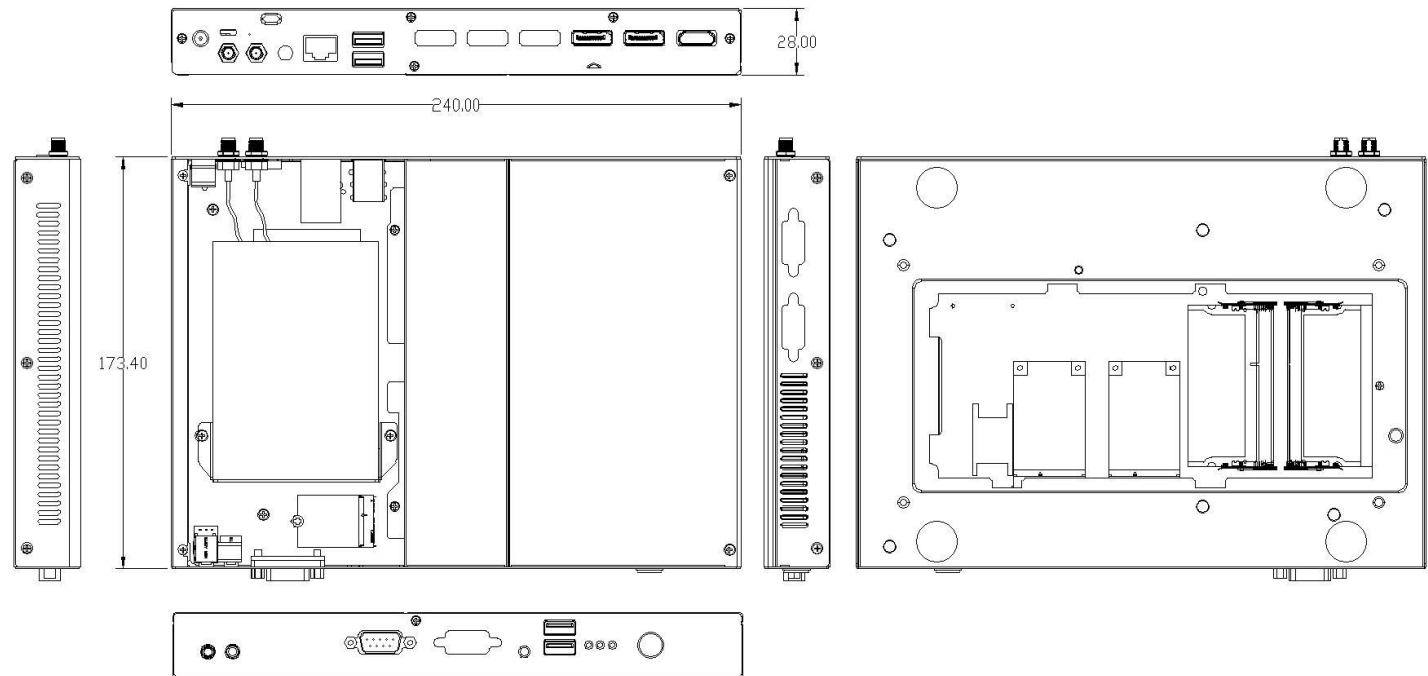
- ◆ Intel® Core i3/i5 Processors
- ◆ 2 x SO-DIMM DDR3L-1600MHz, Up to 32GB
- ◆ 2 x DP, 1 x HDMI
- ◆ 1 x 2.5" SATA, 1 x mSATA
- ◆ 2 x USB3.0, 2 x USB2.0, 1 x RS232
- ◆ 1 x RJ45, 1 x Mini-PCle for WiFi/BT/3G, 1 x SIM Slot

Specifications

RoHS CE FC (CCC)

		G367-G1-7100U30M0G	G367-G1-7200U30M0G
Processor	CPU	Intel® Core i3-7100U	Intel® Core i5-7200U
	Frequency	2.40 GHz	2.50 GHz (Up to 3.10 GHz)
	BIOS	AMI Source Code	
	Chipset	SOC	
Memory	Type	DDR3L-1600MHz	
	Socket	2 x SO-DIMM	
	Max Size	32GB	
Graphics	GPU	NVIDIA GT730, SDDR3 2GB	
	Graphic Engine	DirectX12, OpenGL4.4 and OpenCL 1.2	
	HDMI	1 x HDMI (Max. 4096 x 2304 @24Hz)	
	DP	2 x DP (Max. 4096 x 2304 @60Hz)	
Network	Controller	Realtek RTL8111F Gigabit Ethernet	
	Interface	1 x RJ45	
I/O	USB	2 x USB 3.0, 2 x USB2.0	
	Display Interface	2 x DP1.2, 1 x HDMI1.4b	
	LAN	1 x RJ45	
	Serial Port	1 x RS232	
	Audio	1 x MIC-IN, 1 x AUDIO-OUT & SPDIF	
	Mini-PCle1#	1 x Full-size Mini-PCle for mSATA	
	Mini-PCle2#	1 x Full-size Mini-PCle for WiFi/BT/3G	
	M.2(2230)	1 x M.2 (2230) for WiFi/BT	
	SIM	1 x SIM Slot	
	LED Indicators	1 x HDD LED, 1 x Power LED	
Storage	SATA	1 x 2.5" SATA	
	mSATA	1 x Full-size mSATA	
JAHC Tech	WatchDog Timer	0~255 Second Time Out Support	
	Auto Power On	Power Activated Automatically Start	
	RTC	Set Up Independently Every day, A Week as a Cycle	
	Remote Control	By IR Controller for Power On	
Operation System	Windows	Windows 10 (64-bit)	
	Linux	Supported	

		G367-G1-7100U30M0G	G367-G1-7200U30M0G
Power	Power Type	DC-IN	
	Input Voltage	12V/19V	
Mechanical	Dimensions (W x D x H)	240mm x 175mm x 28 mm	
	Construction	Metal	
	Mounting (Optional)	Wall Mounting and VESA Mounting (JZ300)	
	Color	Black	
Environment	Operating Temperature	0°C ~ 60°C (32 °F ~ 140 °F) at 0.7m/s Air Flow	
	Relative Humidity	95% @ 60°C (non-condensing)	
Certification	Certification	CE, FCC Class B, CCC	



Order Information

Part Number	Intel CPU	RAM	DP	HDMI	RS232	GbE	USB	Audio	mSATA
G367-G1-7100U30M0G	Core i3-7100U	2 x SO-DIMM DDR3L Up to 32GB	2	1	1	1	2 x USB 3.0 2 x USB 2.0	1 x MIC-IN 1 x AUDIO-OUT & SPDIF	1
G367-G1-7200U30M0G	Core i5-7200U								

Packing List

Part Number	Description	Part Number	Description
-	1 x G302	-	1 x Drive Disk
-	1 x User Manual	-	1 x AC Power Adapter
-	1 x AC Power Cable		